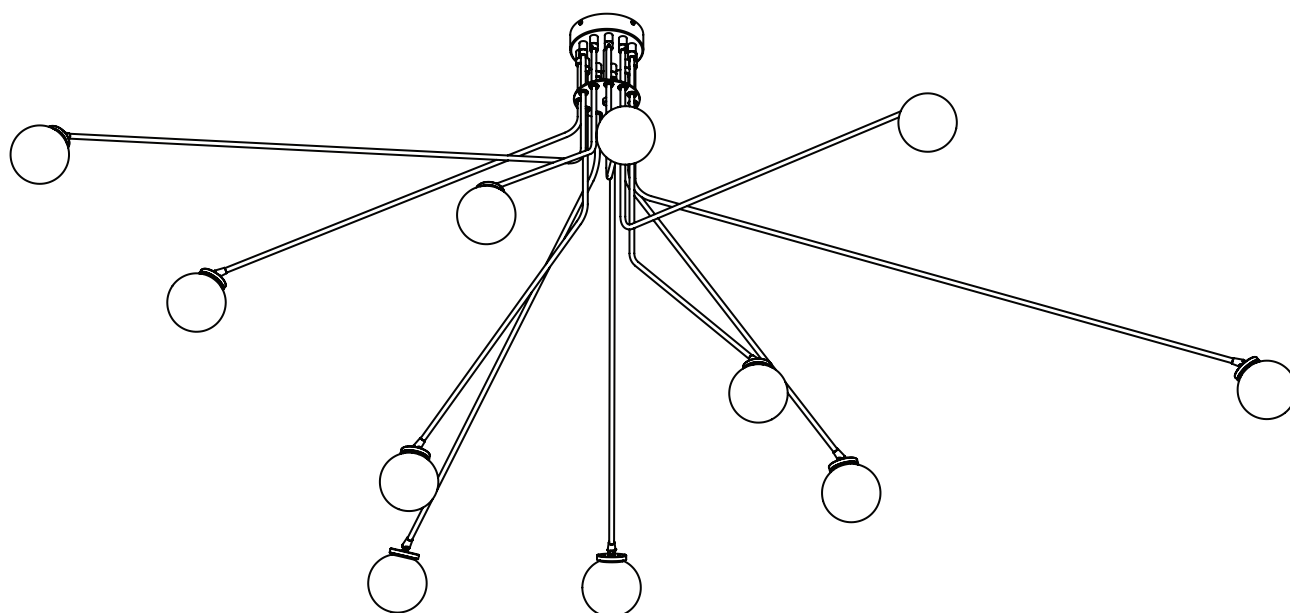


Array Large Pendant

with opal glass shades



! Please handle with care and wear gloves at all times during assembly and installation to avoid damaging or marking the components.

TECHNICAL

bulb holder	11 x G9 (mains halogen)
wattage	11 x 25 watts
weight	20 kg (44 lbs)
cleaning	dust using a dry lint-free cloth weekly or as required
replacement/ repairs	please contact CTO Lighting
warranty	CTO Lighting warranty, 1 year from date of delivery
certification	CE compliant

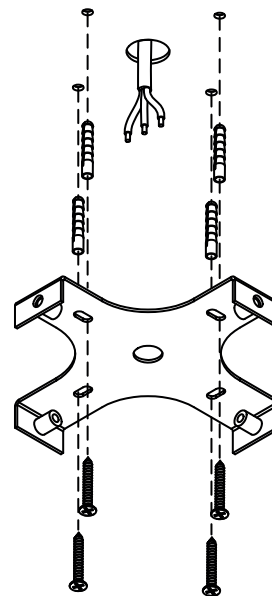
BEFORE INSTALLATION

- Installation **must** be carried out by a qualified electrician.
 - A minimum of **two people** are required to install this pendant.
 - Check that the ceiling and components are suitable and strong enough to support the weight of the pendant.
-

INSTALLATION

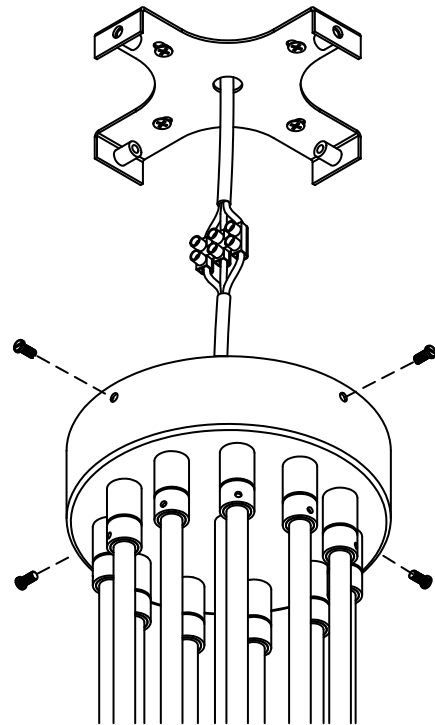
- 1.** Remove the zintec ceiling plate from the ceiling box and fix to the ceiling.

Ensure that suitable screws are being used for the surface that you are mounting to.

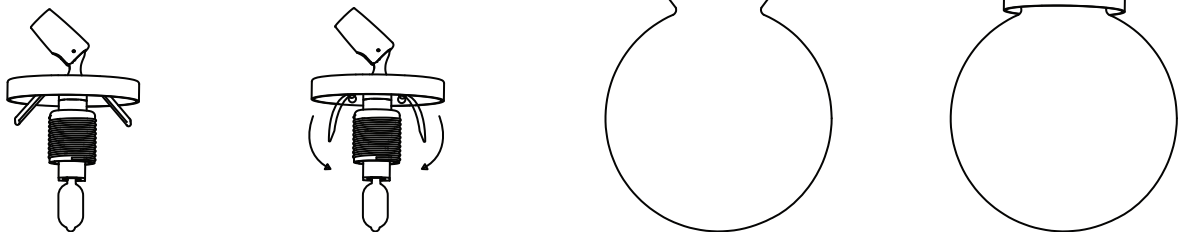


- 2.** Raise the pendant towards the ceiling and make the electrical connection. Further raise the pendant, closing the ceiling rose over the mounted plate and secure with the screws provided.

note: Ensure that the weight of the pendant is fully supported during the electrical installation.



- 3.** Fit the bulbs and shades to the pendant. Pinch the sprung clips inwards and hold, slowly feeding the opal glass shade over the sprung clips. **Do not** release the opal glass shades too quickly.



- 4.** Adjust the angles of all of the arms to create the configuration that you require.

